

SHOP DRAWING NAME

ARCHITECT

GENERAL CONTRACTOR

EQUIPMENT SUPPLIED BY:

SPECIFICATIONS

2 LANDING
VERTICAL LIFT

L-144

CAR 38 1/4"x48"x42"H CODE(S) 5
CAPACITY 750 LBS. AT 10 F.P.M.

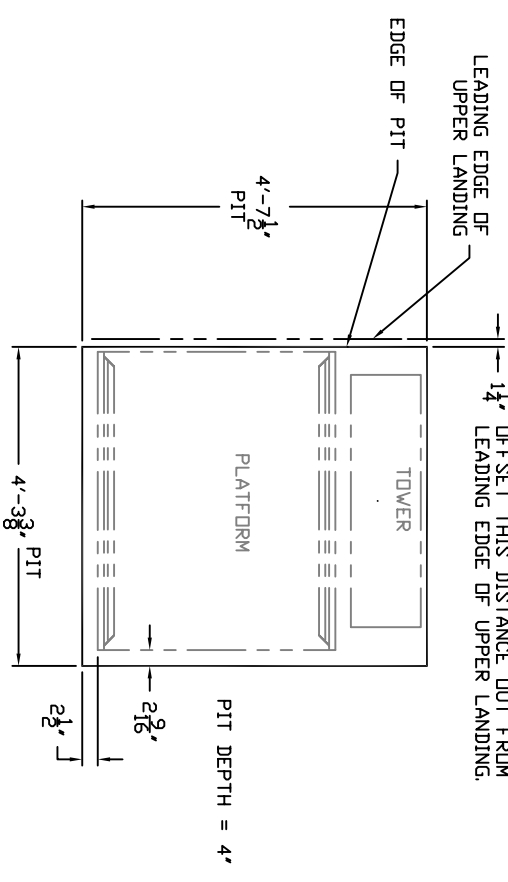
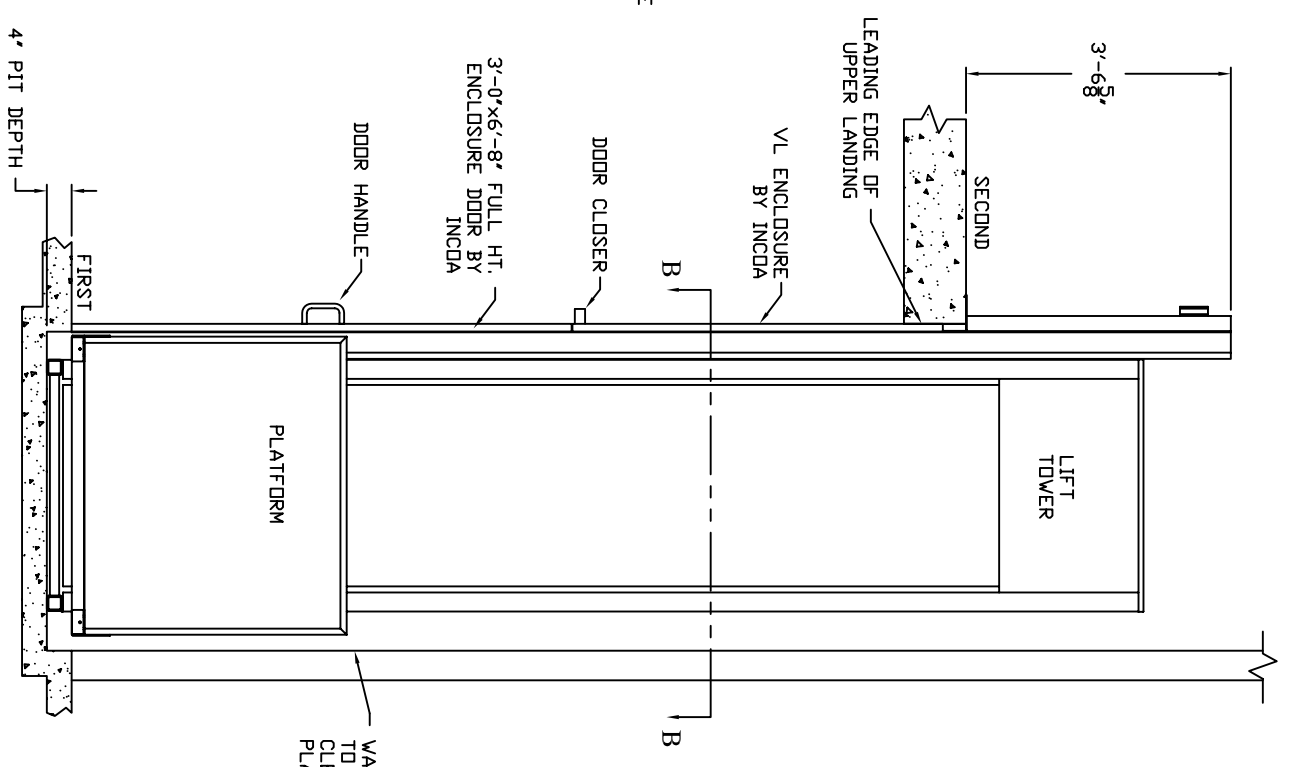
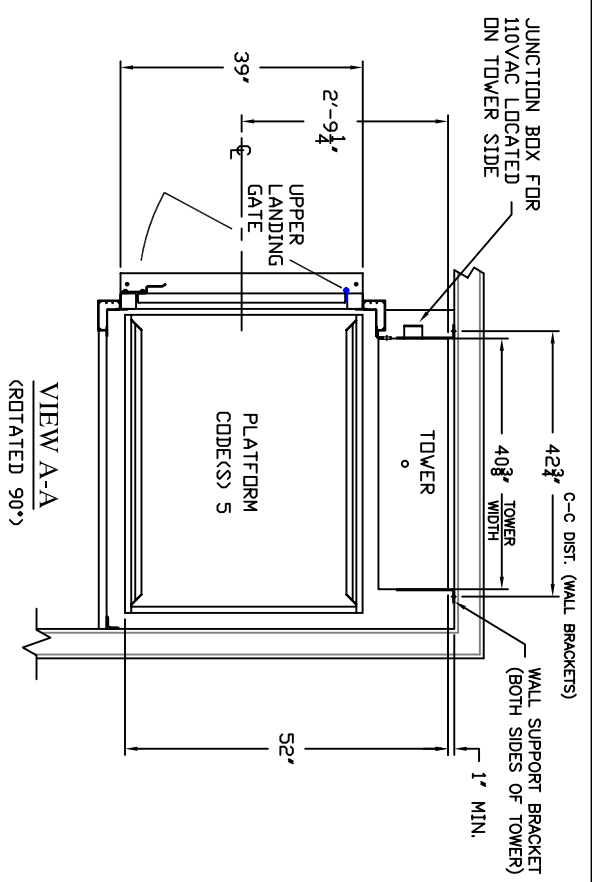
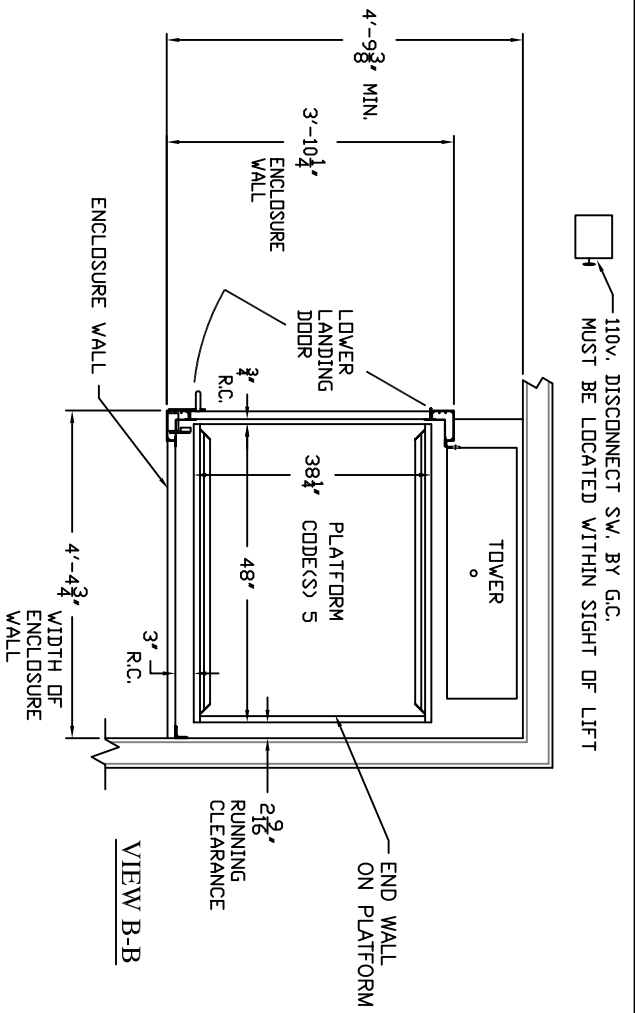
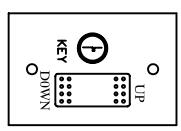
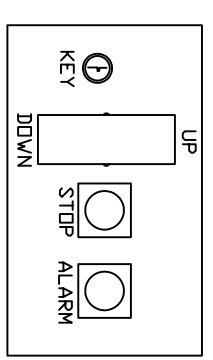
- ☑ ALL DDORS MUST BE INTERLOCKED
- ☐ KEYSWITCH OPERATION
- ☐ 12 VOLT DC POWER
- ☐ AUTO FOLD RAMP
- ☐ STATIONARY RAMP
- ☐ LANDING GATE w/ INTERLOCK
- ☐ PLATFORM GATE WITH INTERLOCK
- ☑ EMERGENCY ALARM
- ☑ EMERGENCY STOP
- ☑ MANUAL LOWERING
- ☑ PLATFORM SAFETY MECHANISM
- ☑ INSTANT REVERSE
- ☑ LIMIT SWITCHES
- ☑ ENCLOSURE DOOR BY INCDA
- ☑ ENCLOSURE WALL BY INCDA
- ☑ EMERGENCY POWER SUPPLY FOR PLATFORM LIGHT, ALARM AND GATE LOCKS

NOTICE TO ELECTRICAL CONTRACTOR:
INSTALL 110V. DIS. SW. TYPE OUTLET
1 HP. MOTOR 120V. SINGLE PHASE 60 CYCLE
20 AMP MAIN LINE FUSE

NOTE: ALL HOISTWAY CONSTRUCTION MUST COMPLY WITH NATIONAL, STATE, AND LOCAL CODES. PLEASE ADVISE INCDA OF ANY CHANGES NEEDED TO THE DRAWING FOR COMPLIANCE IN YOUR AREA.

INCDA JOB # -
DEALER P.O. #
DRAWING BY:-
DATE: 01/04/07

DRAWING IDENTIFICATION NUMBER



WALL MUST BE PLUMB TO MAINTAIN A RUNNING CLEARANCE OF 2-3" BETWEEN PLATFORM & WALL.

NOTE:

PIT FLOOR - 6" MIN. 3000 PSI REBAR REINFORCED CONCRETE, #4 @ 12" O.C. EACH WAY.
FLOOR TO HAVE A SMOOTH TROWEL FINISH FREE OF HOLLOW OR BUMPS.
SURFACE TO BE LEVEL AND FLAT TO WITHIN ±1/8" IN ANY DIRECTION.

VL-B