

SPECIFICATIONS

L-96
2 LANDING
VERTICAL LIFT
CAR 38 1/4"x48"x42"H
CODE(S) 6
CAPACITY 750 LBS. AT 10 F.P.M.
FINISH: BEIGE

- ALL DOORS MUST BE INTERLOCKED
- KEYSWITCH OPERATION
- AUTO FOLD RAMP
- STATIONARY RAMP
- LANDING GATE W/ INTERLOCK
- PLATFORM GATE WITH INTERLOCK
- EMERGENCY STOP
- EMERGENCY ALARM
- MANUAL LOWERING
- INSTANT REVERSE
- LIMIT SWITCHES
- ENCLOSURE DOORS BY INCDA
- ENCLOSURE BY INCDA

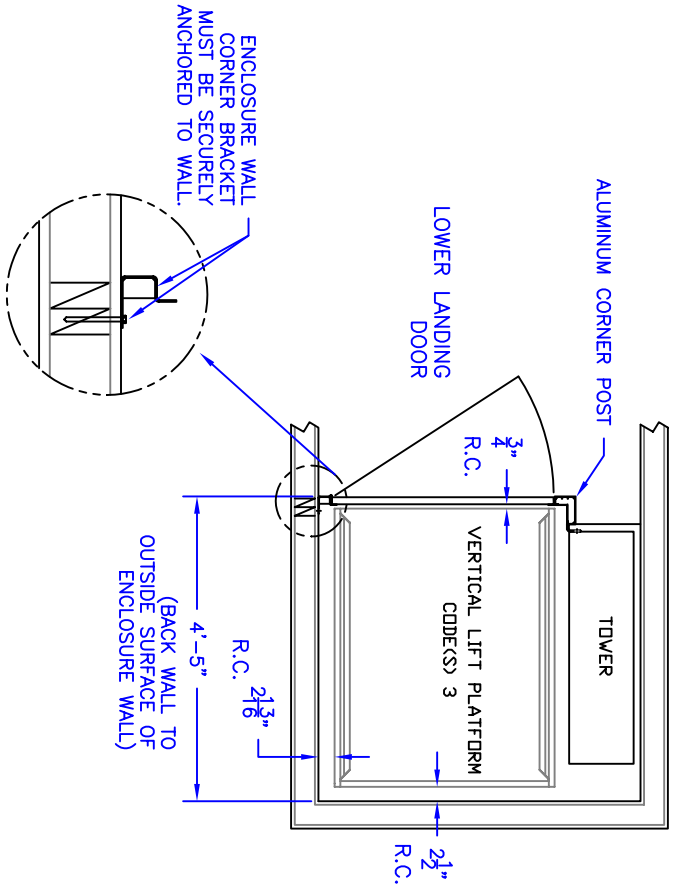
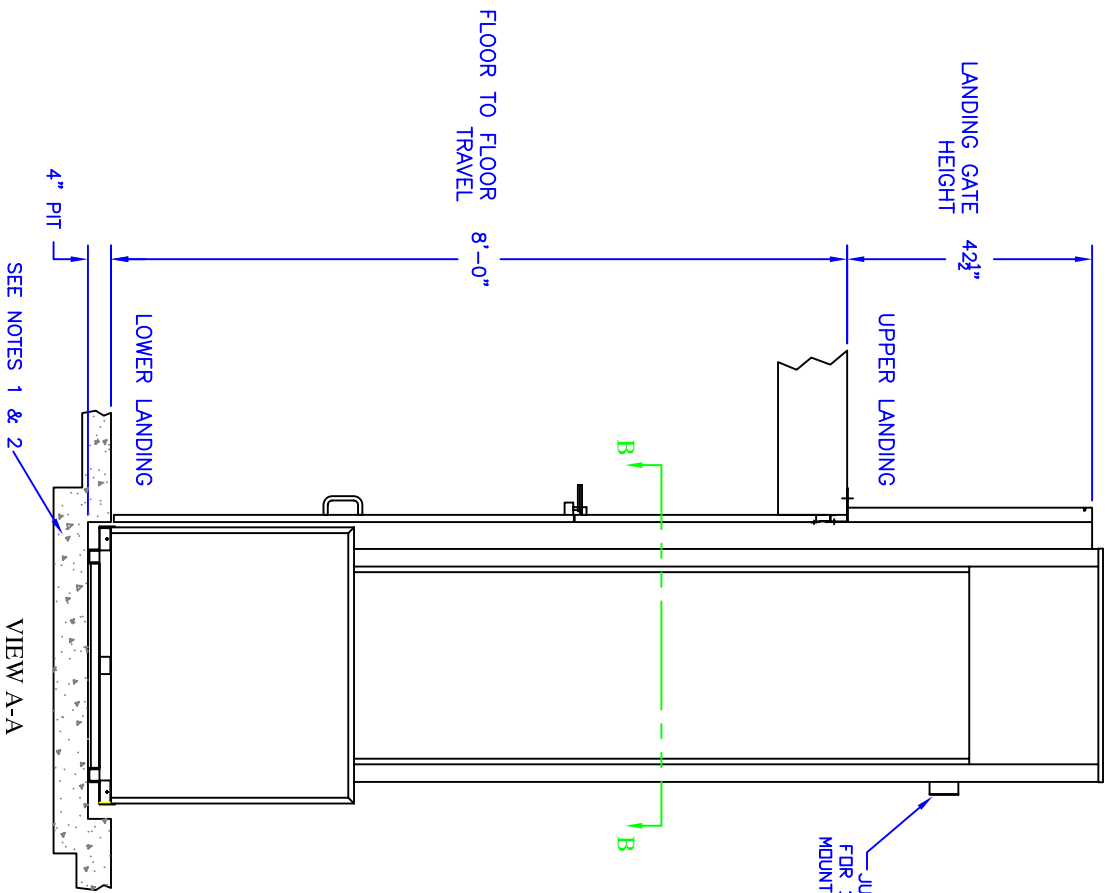
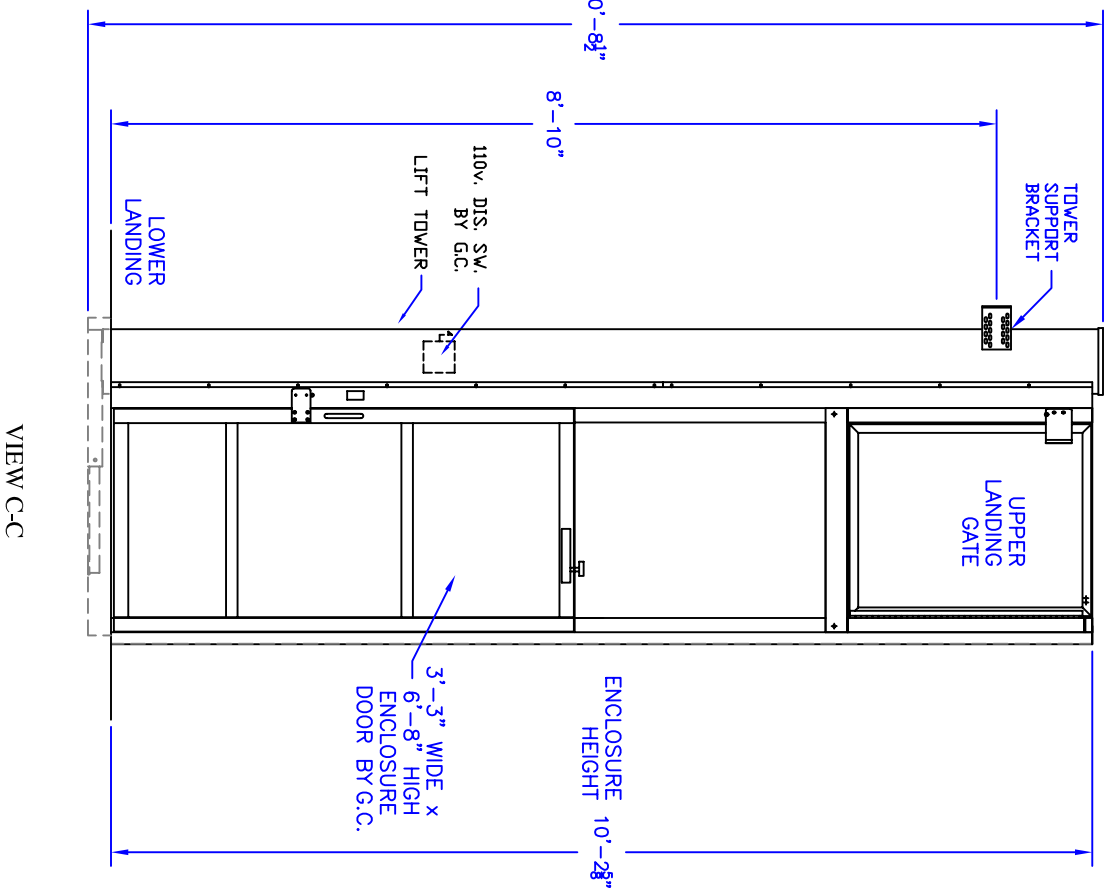
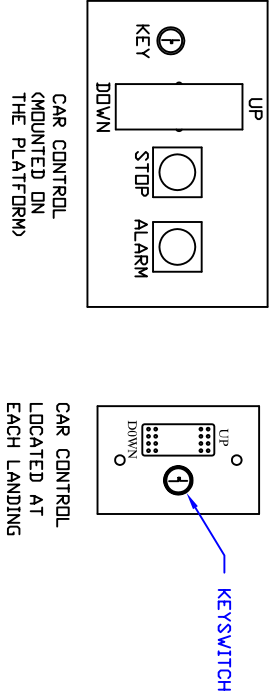
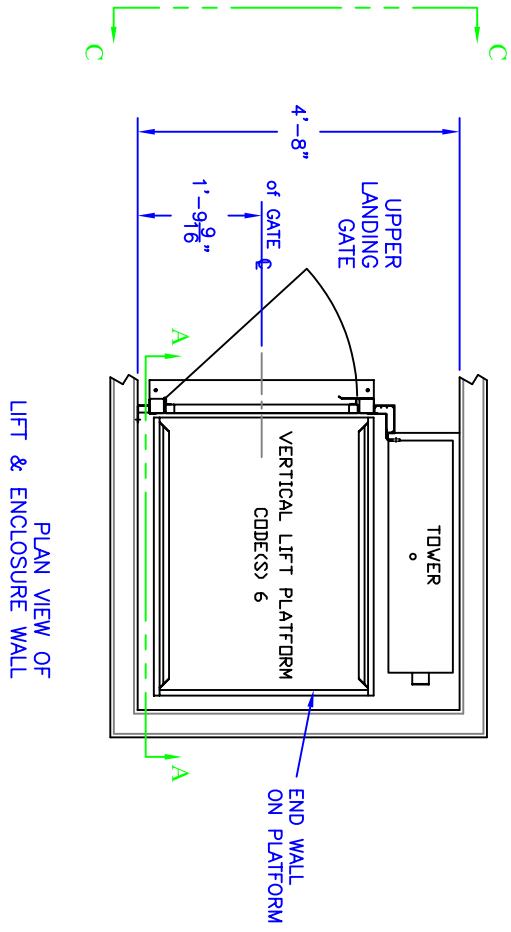
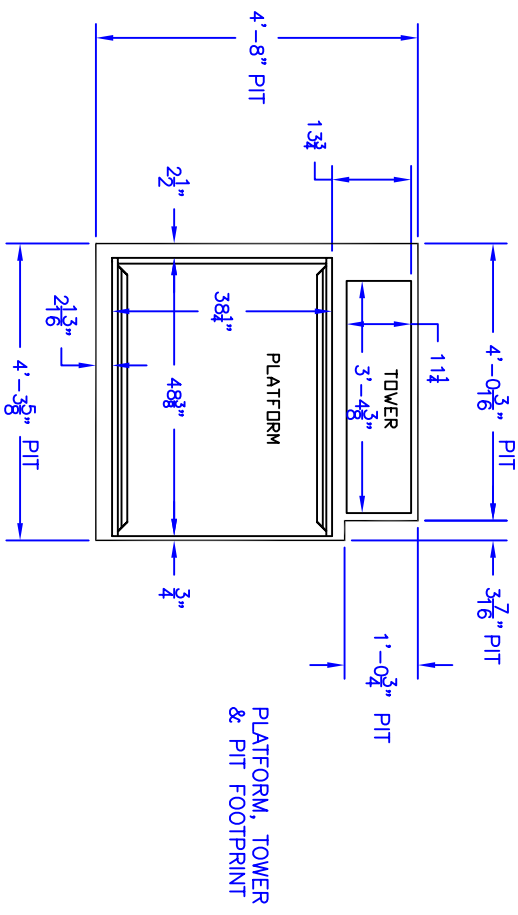
NOTICE TO ELECTRICAL CONTRACTOR:
INSTALL 110V, SINGLE PHASE
DISCONNECT SWITCH
1 HP, MOTOR 120V, SINGLE PHASE
60 CYCLE
20 AMP MAIN LINE FUSE

APPROVAL # -
INCDA JOB # -
DEALER P.D. # -
DRAWING BY: -
DATE: 01/04/07

DRAWING IDENTIFICATION NUMBER

VL-A

- NOTE:**
1. WHEELCHAIR LIFT PIT FLOOR MUST BE 3500 PSI CONCRETE, 4" MIN. THICK.
 2. PIT FLOOR TO HAVE A SMOOTH TROWEL FINISH FREE OF HOLLOW'S OR BUMPS. SURFACE TO BE LEVEL AND FLAT TO WITHIN ±1/8" IN ANY DIRECTION.



DRAWING IDENTIFICATION NUMBER