

## ORDER REFERENCE

PROJECT: XX

GENERAL CONTRACTOR: -

EQUIPMENT INSTALLED BY: XX

## SPECIFICATIONS

MODEL: HOMEWAITER

LANDINGS: 2

CODE(S): 4,5

CAPACITY: 120

SPEED: AT 25 F.P.M.±4

SUSPENSION MEANS: 1 WIRE ROPE:  
5/32 AIRCRAFT CABLE

CAR CONSTRUCTION: X

NOTE: ALL MANUFACTURER SUPPLIED CAR AND EQUIPMENT OPTIONS ARE NOTED ON THE CONFIRMING ORDER SHEET.

**DISCLAIMER:** ONCE DRAWINGS HAVE BEEN APPROVED, SIGNED AND WITHIN 5 DAYS OF PRODUCTION, THE CUSTOMER WILL BEAR ALL RESPONSIBILITY AND LIABILITY OF FINISHED UNIT.

PLEASE REFER ANY QUESTION TO YOUR SALES REPRESENTATIVE

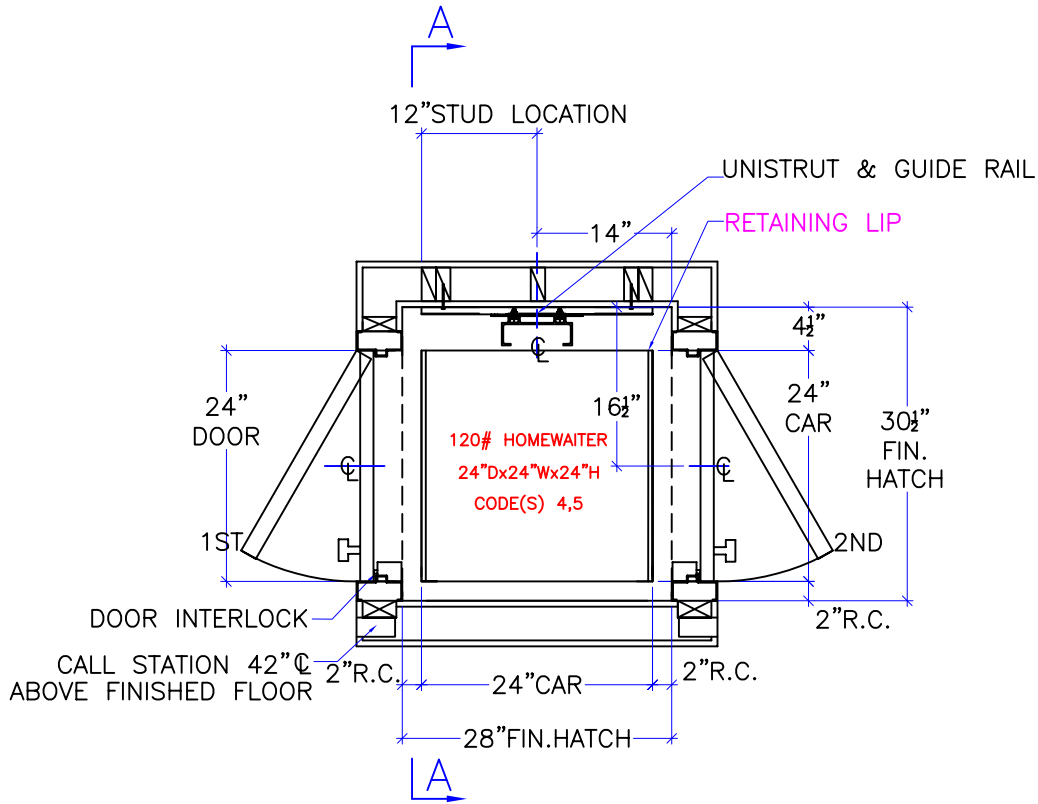
APPROVED

UNAPPROVED

\_\_\_\_\_  
SIGNATURE

\_\_\_\_\_  
DATE

DWG VIEW COVER SHEET		PART NUMBER 80205319			REV.DATE -	
DRAWING TITLE HW- 120# OVERHEAD		DRAWING NO. -			-	
PAGE: 1/4	DRAWN BY: D.LUCASSEN	DWG. DATE 01/08/07	JOB OR APP.# -	DEALER P.O.# -	DWG. SCALE 1:24	REV.LEVEL(1-3) -



NOTE:  
2" RUNNING CLEARANCE  
MUST BE REDUCED TO  
1/2" MIN./1 1/2" MAX.  
AT THE LANDING LEVELS.

NOTE:  
ALL HOISTWAY CONSTRUCTION MUST COMPLY WITH NATIONAL, STATE,  
AND LOCAL  
CODES. HOISTWAY MUST BE PLUMB AND STRAIGHT FROM TOP TO  
BOTTOM WITH NO PROJECTIONS INTO THE HOISTWAY.

NOTE:  
G.C. TO BUILD OUT HOISTWAY  
AS NEEDED TO MAINTAIN 3"  
REQUIRED FOR STABILIZER.

**NOTICE TO ELECTRICAL CONTRACTOR:**

- ALL ELECTRICAL WIRING MUST BE DONE BY A JOURNEYMAN MECHANIC AND MUST MEET ALL NATIONAL, STATE, AND LOCAL CODES.
- BRING (2) #12 W/GND FROM RESIDENCE INCOMING POWER PANEL 20AMP BREAKER(120V, NEUTRAL, GROUND)TO THE MACHINE ROOM.
- BRING (2) #12 W/GND FROM RESIDENCE INCOMING POWER PANEL 20AMP GFI BREAKER(120V, NEUTRAL, GROUND)TO THE MACHINE ROOM.FOR RECIPTICAL AND LIGHT.
- REQUIRED LOW VOTAGE WIRING IS SUPPLIED BY MANUFACTURER. ALL EXTENSIONS ADDITIONS, ETC. SHALL BE DONE WITH THE SAME SIZE AND TYPE OF WIRE AS ORIGINALLY SUPPLIED BY THE MANUFACTURER.
- ALL MEANS FOR ACCESS TO EQUIPMENT SHALL BE PROVIDED WITH A LOCK. ALL SHAFT DOORS MUST BE INTERLOCKED.

DWG VIEW

HOISTWAY LAYOUT

PART NUMBER

80205319

REV.DATE

-



DRAWING TITLE

HW- 120# OVERHEAD

DRAWING NO.

-

-

PAGE:  
2/4

DRAWN BY:  
D.LUCASSEN

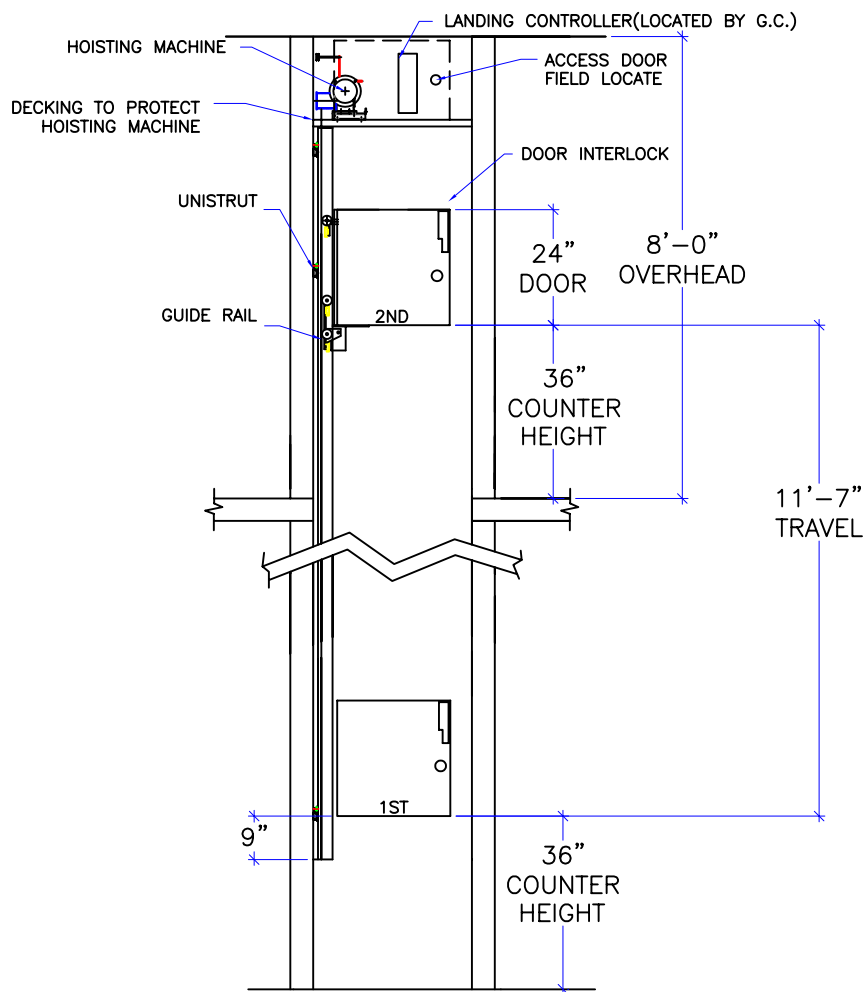
DWG. DATE  
01/08/07

JOB OR APP.#  
-

DEALER P.O.#  
-

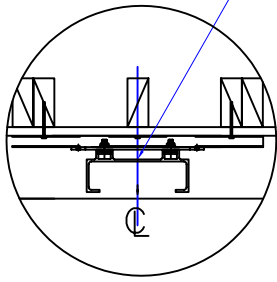
DWG. SCALE  
1:24

REV.LEVEL(1-3)  
-

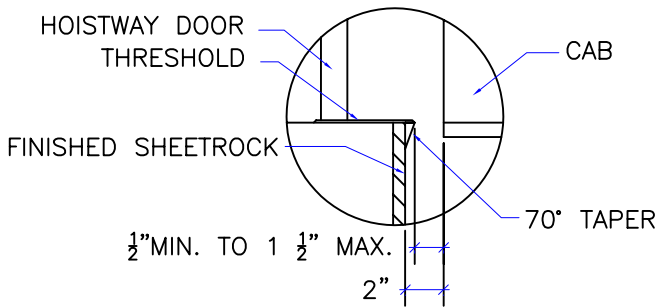


DWG VIEW		SECTION A-A		PART NUMBER		REV. DATE	
				80205319		-	
INCLINATOR COMPANY OF AMERICA HARRISBURG, PA		DRAWING TITLE		DRAWING NO.		-	
		HW- 120# OVERHEAD		-		-	
PAGE:	DRAWN BY:	DWG. DATE	JOB OR APP.#	DEALER P.O.#	DWG. SCALE	REV. LEVEL(1-3)	
3/4	D.LUCASSEN	01/08/07	-	-	1:24	-	

UNISTRUT & GUIDE RAIL

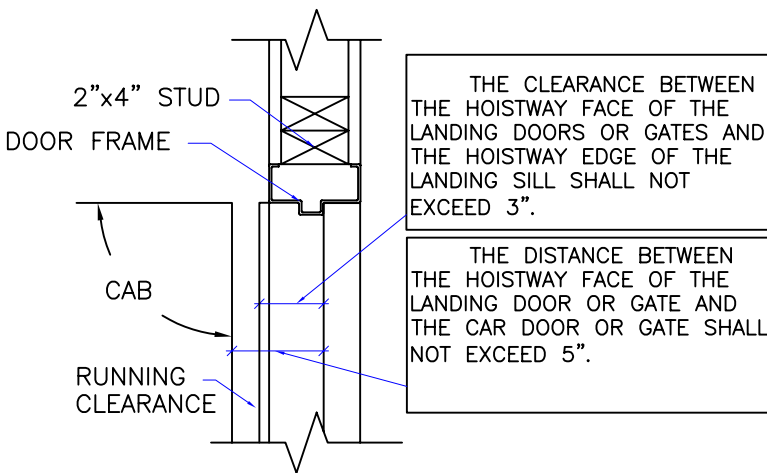


RAIL DETAIL



DOOR SILLS TO BE INSTALLED BY G.C. AFTER LIFT SUPPLIER HAS INSTALLED A RUNNING PLATFORM. SILL TO BE BROUGHT OUT TO NOT LESS THAN 1/2" AND NOT MORE THAN 1 1/2" TO THE RUNNING PLATFORM.

SILL DETAIL



THE CLEARANCE BETWEEN THE HOISTWAY FACE OF THE LANDING DOORS OR GATES AND THE HOISTWAY EDGE OF THE LANDING SILL SHALL NOT EXCEED 3".

THE DISTANCE BETWEEN THE HOISTWAY FACE OF THE LANDING DOOR OR GATE AND THE CAR DOOR OR GATE SHALL NOT EXCEED 5".

DOOR FRAME DETAIL

RAIL FORCES:

- 78 LBS. PULL OUT
- 400 LBS. (STATIC) VERTICAL LOAD
- 800 LBS. (IMPACT) VERTICAL LOAD

REACTIONS ON DIRECTIONAL SHEAVES:

- 200 LBS. (STATIC)
- 400 LBS. (IMPACT)

MAXIMUM PULLOUT FORCE ON GEARBOX ANCHOR: 281 LBS.

TECHNICAL DATA

DWG VIEW  
DETAILS, DATA, CODES

PART NUMBER  
80205319

REV. DATE

DRAWING TITLE  
HW- 120# OVERHEAD

DRAWING NO.

**INCLINATOR**  
COMPANY OF THE AMERICA  
HARRISBURG, PA

PAGE: 4/4	DRAWN BY: D.LUCASSEN	DWG. DATE 01/08/07	JOB OR APP.# -	DEALER P.O.# -	DWG. SCALE 1:24	REV.LEVEL(1-3) -
--------------	-------------------------	-----------------------	-------------------	-------------------	--------------------	---------------------